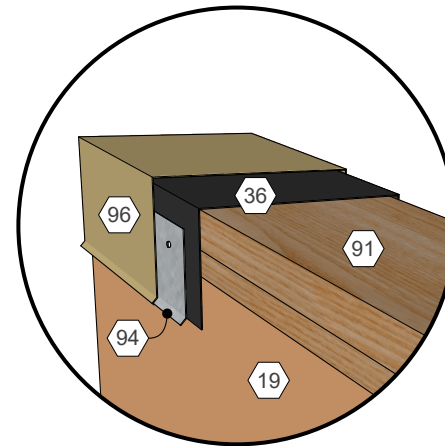
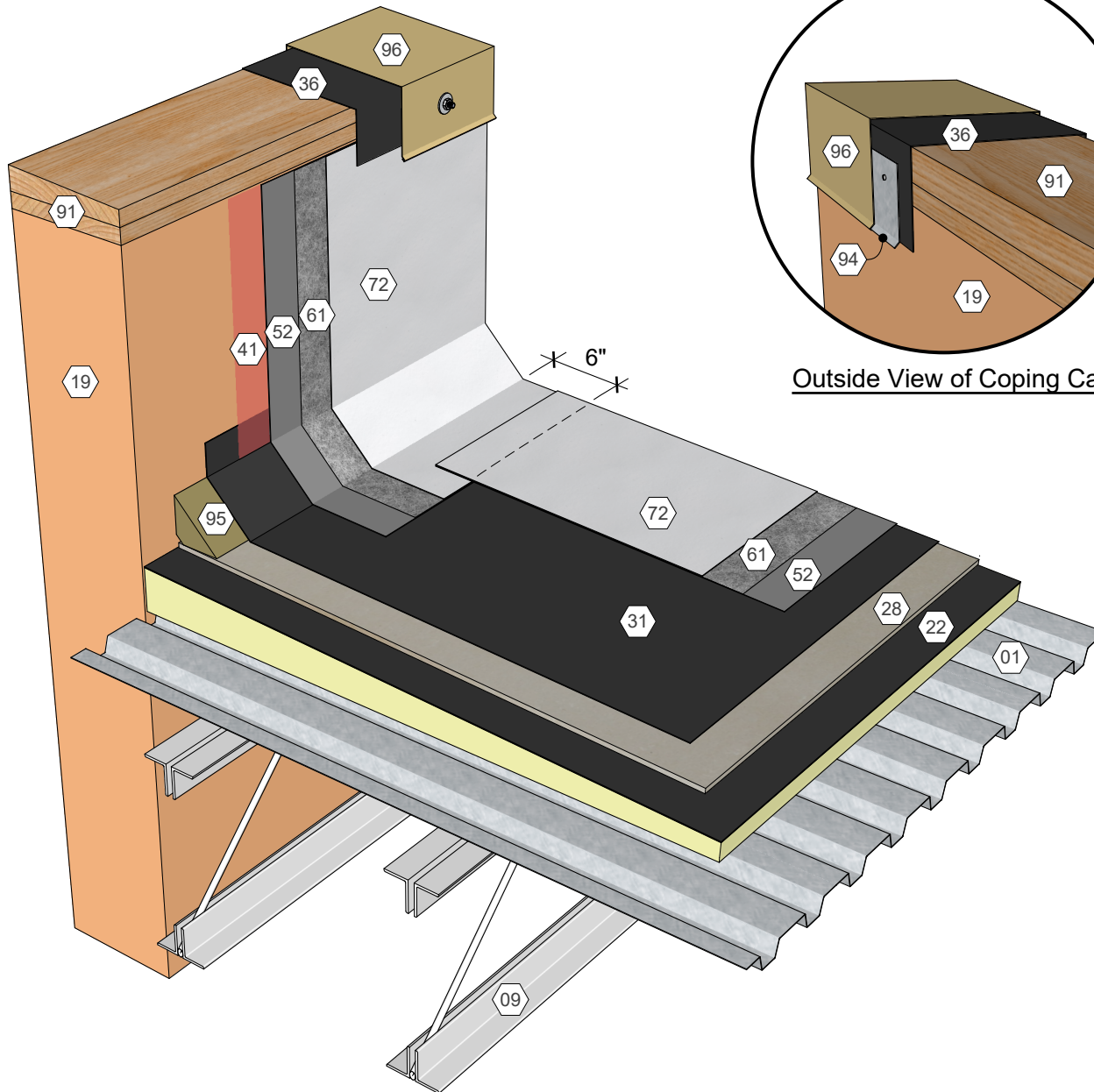


## KEY NOTES

- 01 Metal Deck
- 09 Roof Structure
- 19 Wall Assembly
- 22 Polyisocyanurate Insulation (Fastened or Adhered)
- 28 Cover Board (Adhered)
- 31 Approved Base Ply Sheet
- 36 Base Sheet Liner
- 41 Approved Primer
- 52 AlphaGuard BIO Base Coat
- 61 AlphaGuard Glass Mat or Permafab
- 72 AlphaGuard BIO Top Coat
- 91 Wood Blocking
- 94 Continuous Cleat
- 95 Cant Strip
- 96 Metal Coping



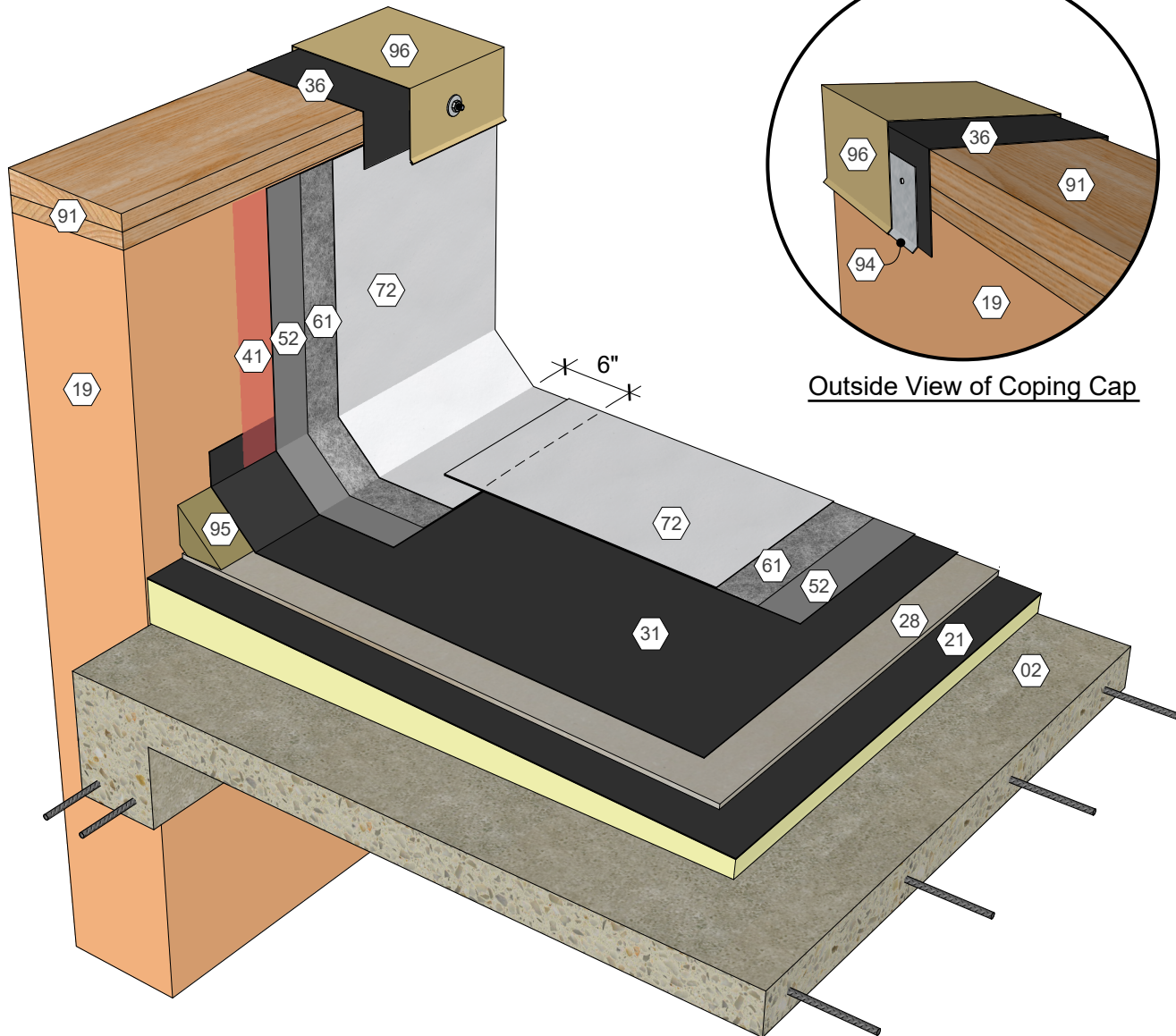
Outside View of Coping Cap



AlphaGuard® BIO Plus Coping Cap Detail, Metal Deck  
Detail 23011

## KEY NOTES

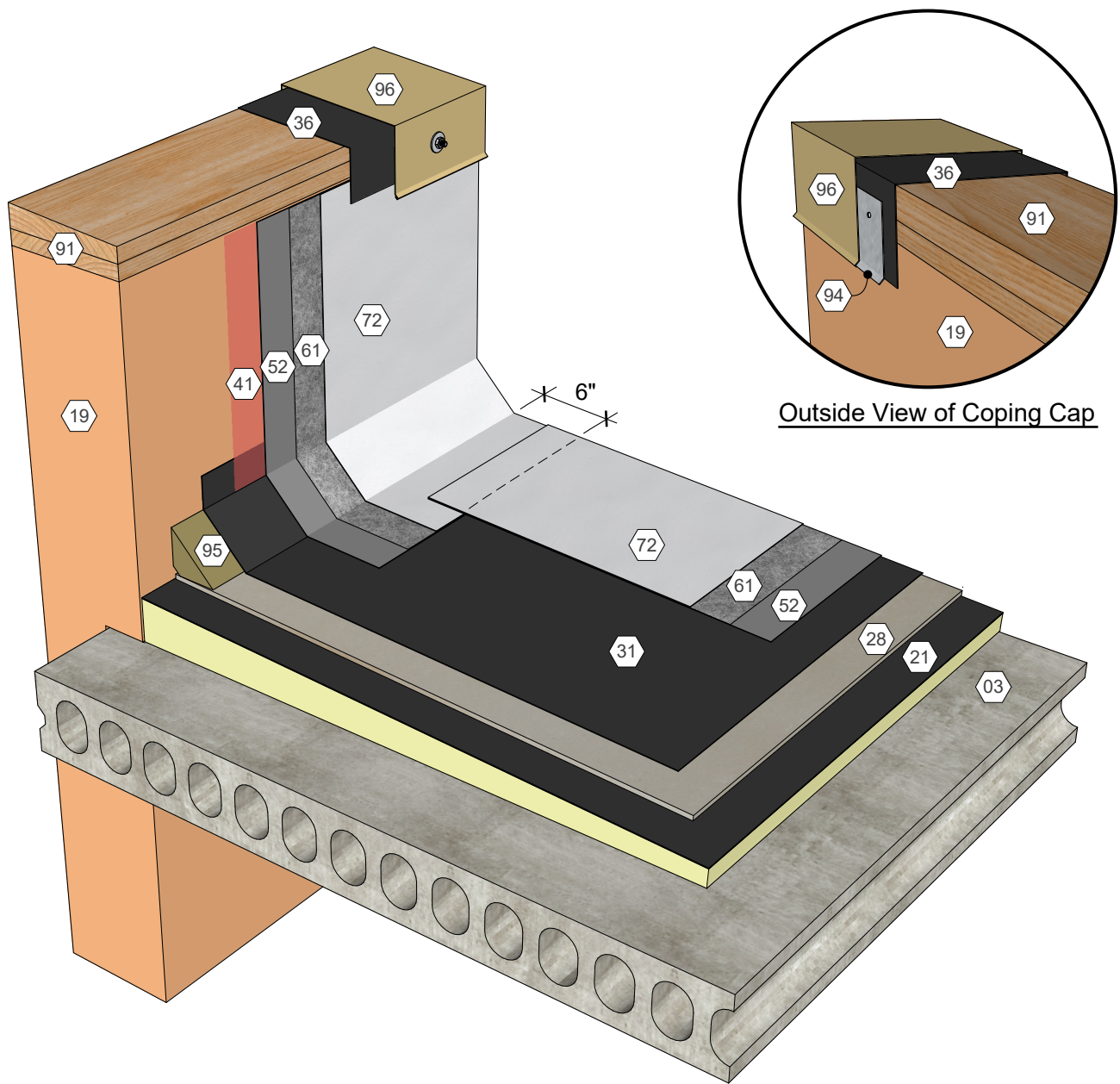
- 02 Structural Concrete Deck
- 19 Wall Assembly
- 21 Polyisocyanurate Insulation (Adhered)
- 28 Cover Board (Adhered)
- 31 Approved Base Ply Sheet
- 36 Base Sheet Liner
- 41 Approved Primer
- 52 AlphaGuard BIO Base Coat
- 61 AlphaGuard Glass Mat or Permafab
- 72 AlphaGuard BIO Top Coat
- 91 Wood Blocking
- 94 Continuous Cleat
- 95 Cant Strip
- 96 Metal Coping



Outside View of Copping Cap

AlphaGuard® BIO Plus Copping Cap Detail, Structural Concrete Deck  
Detail 23012

**TREMCO**  
ROOFING & BUILDING MAINTENANCE



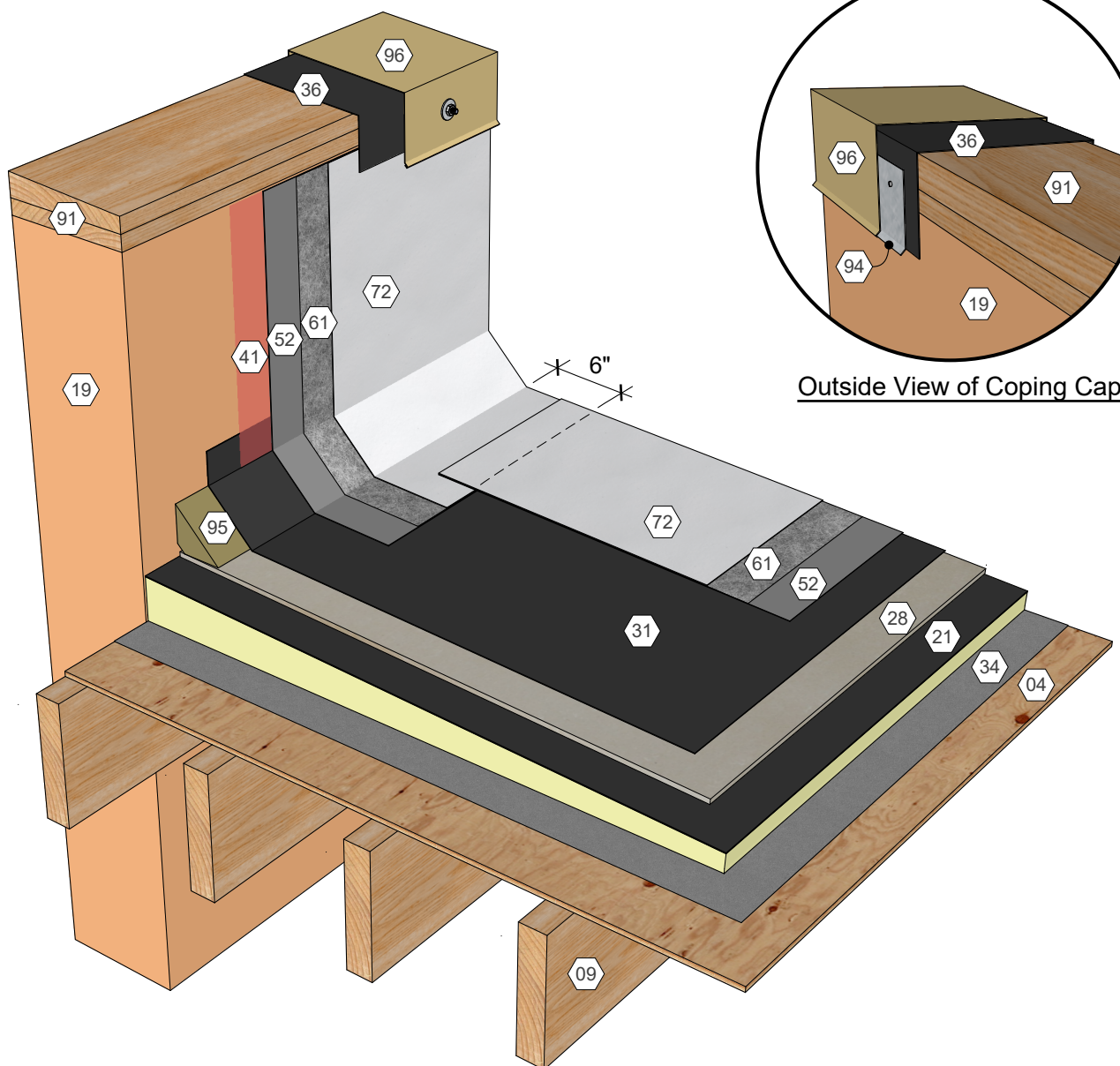
Outside View of Copping Cap

**KEY NOTES**

- 03 Precast Concrete Deck
- 19 Wall Assembly
- 21 Polyisocyanurate Insulation (Adhered)
- 28 Cover Board (Adhered)
- 31 Approved Base Ply Sheet
- 36 Base Sheet Liner
- 41 Approved Primer
- 52 AlphaGuard BIO Base Coat
- 61 AlphaGuard Glass Mat or Permafab
- 72 AlphaGuard BIO Top Coat
- 91 Wood Blocking
- 94 Continuous Cleat
- 95 Cant Strip
- 96 Metal Copping

AlphaGuard® BIO Plus Copping Cap Detail, Precast Concrete Deck  
Detail 23013





**KEY NOTES**

- 04 Wood Deck
- 09 Roof Structure
- 19 Wall Assembly
- 21 Polyisocyanurate Insulation (Adhered)
- 28 Cover Board (Adhered)
- 31 Approved Base Ply Sheet
- 34 Base Sheet (Fastened)
- 36 Base Sheet Liner
- 41 Approved Primer
- 52 AlphaGuard BIO Base Coat
- 61 AlphaGuard Glass Mat or Permafab
- 72 AlphaGuard BIO Top Coat
- 91 Wood Blocking
- 94 Continuous Cleat
- 95 Cant Strip
- 96 Metal Copping

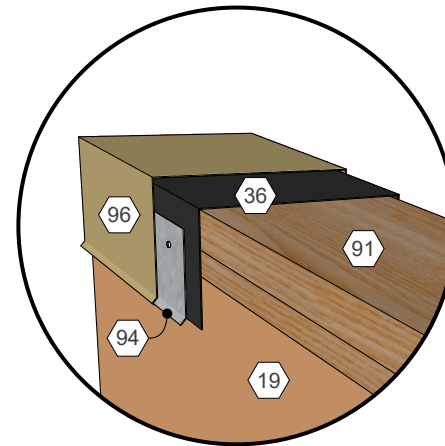
Outside View of Copping Cap

AlphaGuard® BIO Plus Copping Cap Detail, Wood Deck  
Detail 23014

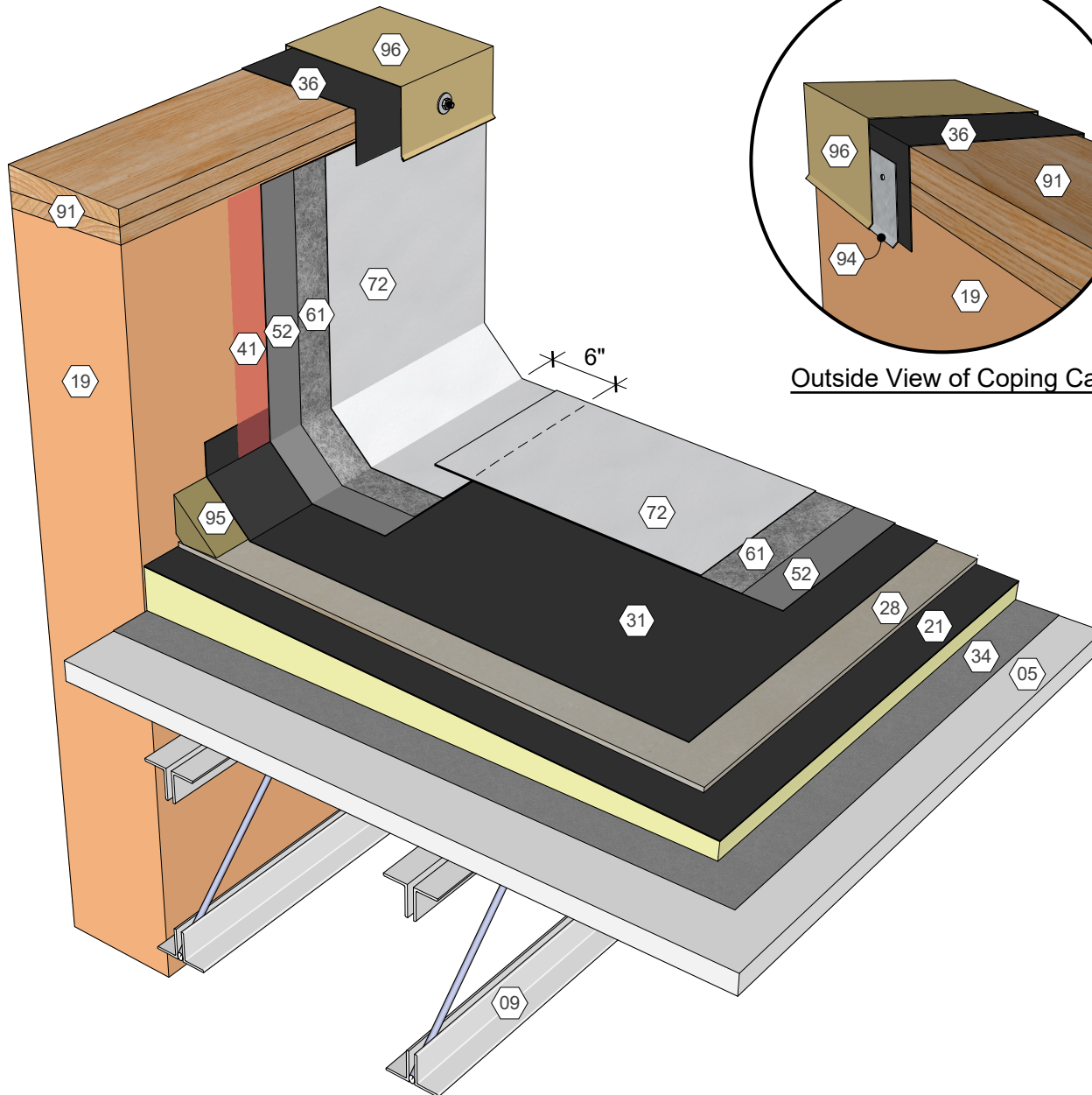


## KEY NOTES

- 05 Gypsum Deck
- 09 Roof Structure
- 19 Wall Assembly
- 21 Polyisocyanurate Insulation (Adhered)
- 28 Cover Board (Adhered)
- 31 Approved Base Ply Sheet
- 34 Base Sheet (Fastened)
- 36 Base Sheet Liner
- 41 Approved Primer
- 52 AlphaGuard BIO Base Coat
- 61 AlphaGuard Glass Mat or Permafab
- 72 AlphaGuard BIO Top Coat
- 91 Wood Blocking
- 94 Continuous Cleat
- 95 Cant Strip
- 96 Metal Coping



Outside View of Coping Cap



AlphaGuard® BIO Plus Coping Cap Detail, Gypsum Deck  
Detail 23015